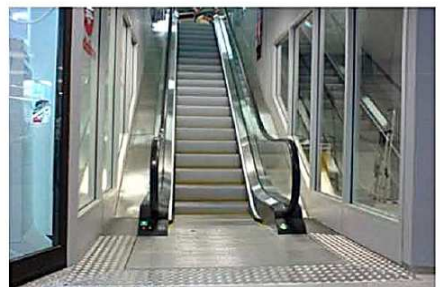


SJEC
Elevators & Escalators
since 1992



SJEC
Elevators & Escalators
since 1992



SJEC CORPORATION

Add: 28 weixin Road, Ecological Hub, 215122 Suzhou, P.R. China.
Tel: 0512-62746790 Fax: 0512-62810633 www.sjec.com.cn

We reserve the right to alter some of specifications and descriptions given here in without prior notices



SJEC

Elevators & Escalators

since 1992

**A Committed,
Reliable & Responsible
Elevator & Escalator
Manufacturer since 1992**



Pavilion of corporation



Corridor of corporation



Office area of corporation



Workshop of corporation

CORPORATION DATA:

- Land area: 107000m²,
- Manufacturing area: 47000m²,
- Test tower height: 140m,
- Manpower: 1000

ANNUAL MANUFACTURING CAPACITY:

- 15000 units elevators,
5000 units escalators and passenger conveyors

INTERNATIONAL CERTIFICATION:

- ISO9001, ISO14001, OHSAS18001 and SA8000 by DNV,
- DIN18000-7 by SLV Duisburg Germany,
- Product Certificate by TÜV Germany,

MARKETING:

- Products sold over 80 countries around the world. Such as Asia, Europe, Oceania, Africa, American and etc.

Manufacturing Facilities

Believed that best quality comes from the best equipment. SJEC has imported the world's first classic NC facilities, At present, SJEC has been updated its 6 sheet metal lines . there are 4KW laser cutting machine from MITSUBISHI, Turret punching machine from WIEDMANN, CNC Bending and shearing machine from KOMATSU, Processing lines from AMADA, Processing Center from CINCINNATI, Welding robot from YASKAWA and etc. All these can well guarantee our manufacturing quality.



Workshop



Turret punching and shearing machine



Robot station



SALVAGNINI flexible product line



Welding robot



Laser cutting machine

FES Escalator

Silence and comfort. The new generation has inherited the traditional safety, reliability, high efficiency style and combined with updated market trends as well as tailored solutions. It is widely used for shopping malls, Hotels, office blocks and etc.

Type	FES
Inclination	30° /35°
Step width(mm)	600/800/1000
Horizontal step run (mm)	800/1200
Speed (m/s)	0.5
Power supply	AC 3 phase.5 wire50Hz/60Hz
Installation position	Indoor/Outdoor
Rise(m)	2~7.5



Avnat mall, Israel

Type	Standard	Optional
Balustrade design	Vertical safety glass (10mm safety tempered glass)	
Balustrade profile	Hairline ST/ST	
Handrail	Black	Other colors
Deckings	Hairline ST/ST	
Skirting panel	Hairline ST/ST	
Step	ST/ST /Aluminum alloy, painted with silver gray, or Black color	
Landing plate	Etched ST/ST with anti slip pattern / Aluminum	
Operation panel	Red emergency stop button and up/down key switch	Traffic light



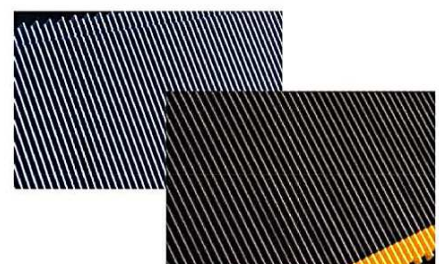
Sorya Shopping Center, Cambodia



Brisbane Royal Hospital, Australia



Science&Technology Hall, Beijing China



Dumus mall, Sweden

FEH Escalator

Weatherproof and unique balustrade design, conform to special customer specifications. It is suit for airport, subway and overpass etc.

Type	FEH
Inclination	30° / 35°
Step width(mm)	600/800/1000
Horizontal step run (mm)	800/1200/1600
Speed (m/s)	0.5/0.65
Power supply	AC 3 phase.5 wire50Hz/60Hz
Installation position	Indoor/Outdoor
Rise(m)	2~12.5

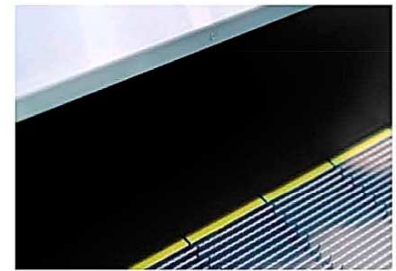


Type	Standard	Optional
Balustrade design	Vertical safety glass(10mm safety tempered glass)	Vertical/Inclined ST/ST
Balustrade profile	Hairline ST/ST	
Handrail	Black	Other colors
Deckings	Hairline ST/ST	
Skirting panel	Hairline ST/ST	
Step	ST/ST /Die- cast aluminum, painted with silver gray,Black color/Yellow resin demarcetion	
Landing plate	Etched ST/ST with anti slip pattern /Aluminum with anti-slip grooves	
Operation panel	Red emergency stop button and up-down key switch	Traffic light



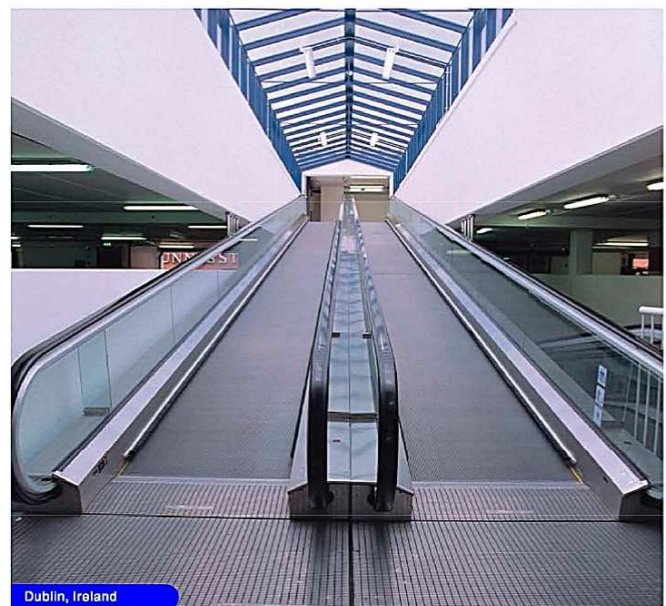
Passenger Conveyor

Is reliable, high efficiency, easy for maintenance , which is suit for hypermarket and airport .



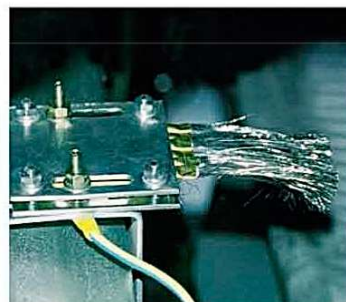
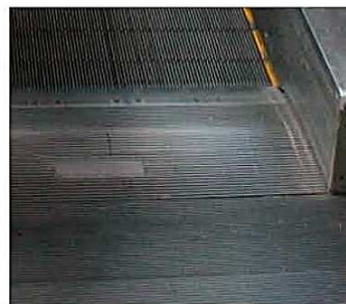
Specs	Passenger conveyor		
Type	FET	FEF	FEW
Inclination	10° 11° 12°	10° 11° 12°	0° – 6°
Pallet width (mm)	800/1000	800/1000	1000/1200/1400
Horizontal pallet run (mm)	400(upper landing)	400/800	N/A
Speed (m/s)	0.5		
Power supply	AC 3 phase.5 wire50Hz/60Hz		
Installation position	Indoor/Outdoor		
Rise/Length(m)	H:2~8	H:2~8	L:120

Type	Standard	Optional
Balustrade design	Vertical safety galss(10mm safety tempered glass)	Inclined ST/ST for FEW
Balustrade profile	Hairline ST/ST	
Handrail	Black	Other colors
Deckings	Hairline ST/ST	Hairline ST/ST
Skirting panel	Hairline ST/ST	Teflon coating
Pallet	Die cast aluminum, painted with silver gray.	Black color
Landing plate	Etched stainless steel with anti slip pattern	Aluminum with anti-slip grooves
Operation panel	Red emergency stop button and up-down key switch	Traffic light



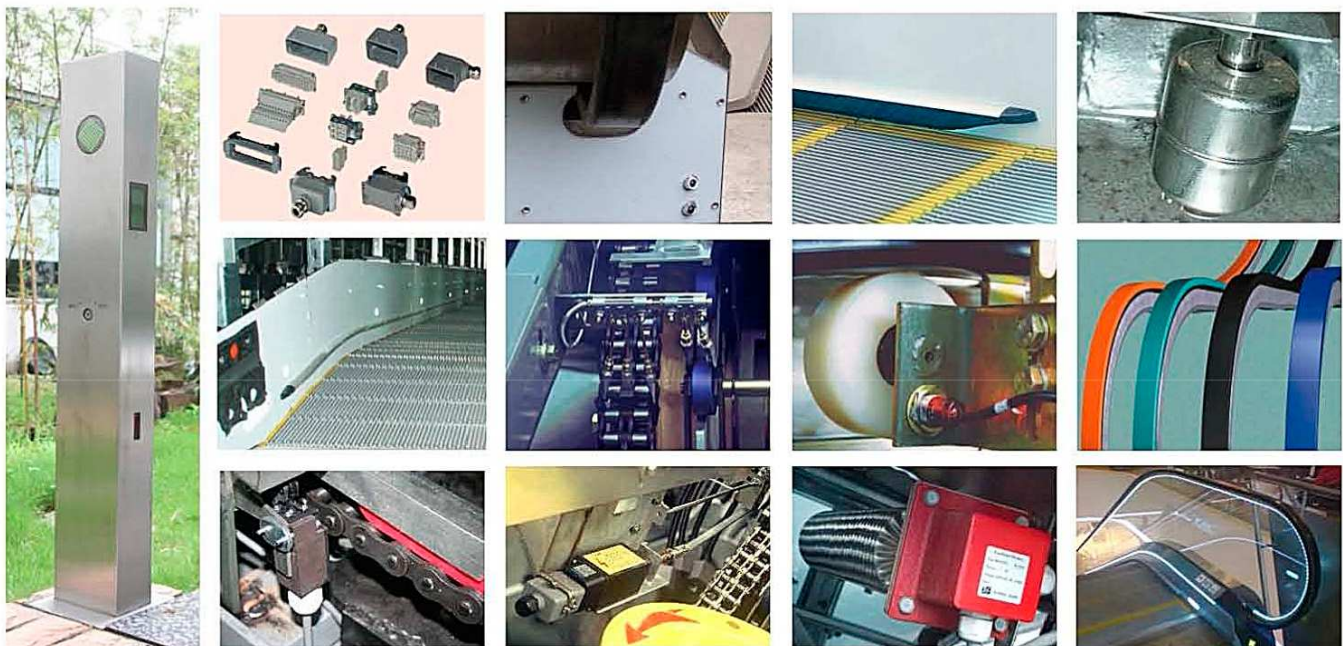
Standard Features

Standard	FES	FEH	FET/FEF/FEW
Skirting Contacts	●	●	
Handrail Entry Contacts	●	●	●
Step/Pallet chains contacts	●	●	●
Step/Pallet sag contacts	●	●	●
Phase Monitor	●	●	●
Motor Overload	●	●	●
Motor Overheat	●	●	●
Comb Contacts	●	●	●
Step Gap Illumination	●	●	
Maintenance Interlock Protection	●	●	●
Alarm buzzer	●	●	●
Speed Monitor with Electrical Reverse Detection	●	●	●
Step/Pallet anti-static brush	●	●	●
Emergency stop buttons	●	●	●
Step/Pallet reversing fences	●	●	●
Handrail anti-static roller	●	●	●
Service brake release contact	●	●	●
Safety Brake on Main shaft		●	
Soft Stop	●	●	●

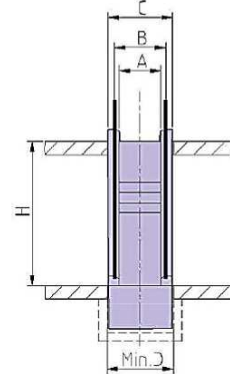
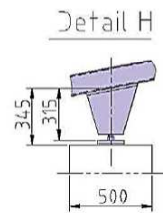
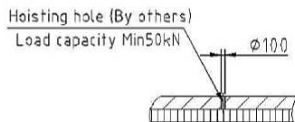
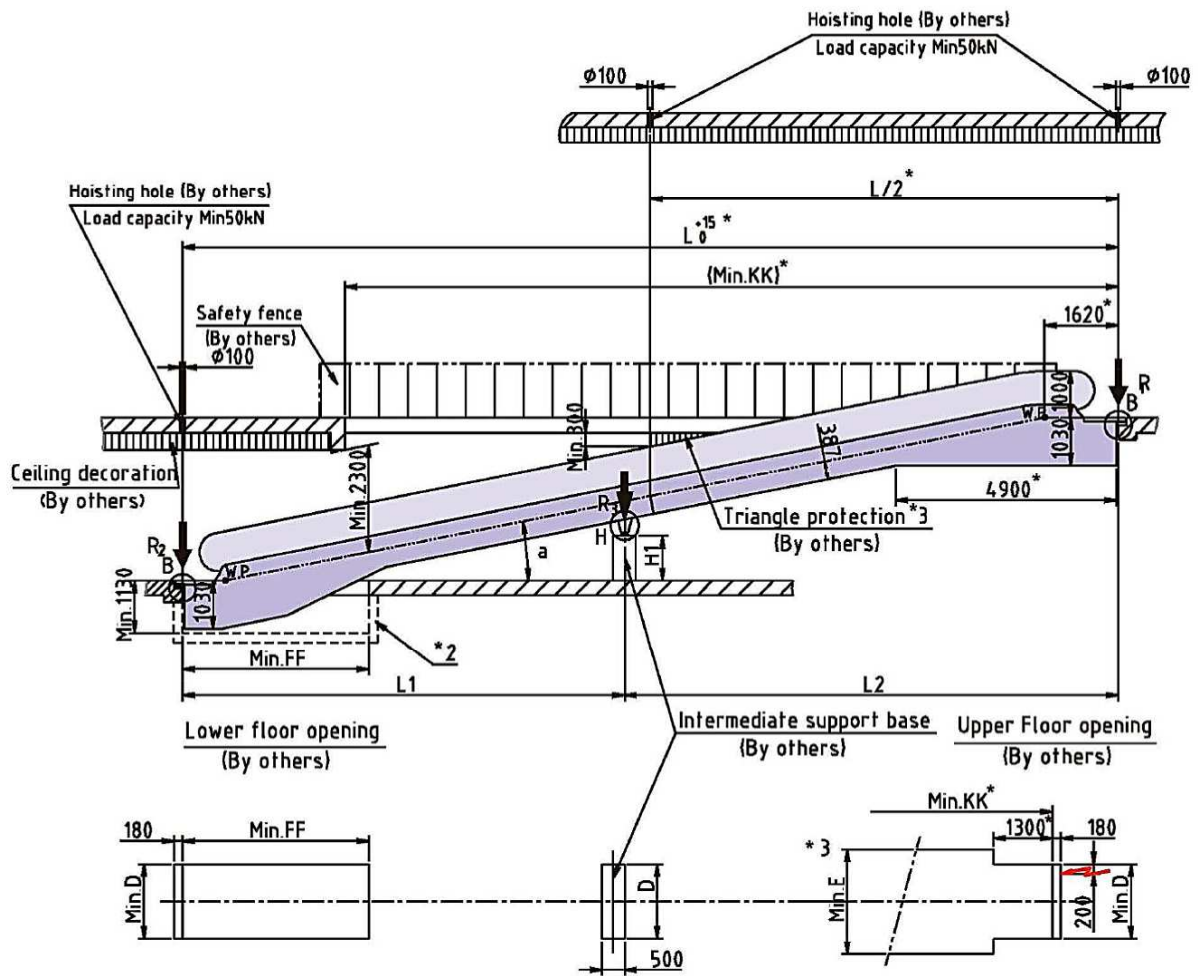


Optional Features

Optional	FES	FEH	FET/FEF/FEW
Handrail Colour	●	●	●
Step/Pallet Colour	●	●	
Surge Protection	●	●	●
Step Safety Demarcation	●	●	
Fire Interface	●	●	●
Dry Contact for Remote Monitoring System	●	●	●
Automatic Lubrication System	●	●	●
Comb Heating System	●	●	●
Truss Heating System	●	●	●
Fault Diagnostic System	●	●	●
Step/Pallet Missing Monitor	●	●	●
Brake Distance Monitor	●	●	●
Handrail Speed Monitor	●	●	●
Skirting Brush	●	●	●
VVVF Control	●	●	●
Auto-Start	●	●	●
Outside Cladding	●	●	●
Safety Brake on Main Shaft	●		●
Traffic Light	●	●	●
Comb Light	●	●	●
Skirting Lighting (LED Dot Light)	●	●	●
Landing Plate Contact	●	●	●
Handrail Broken Contact	●	●	●
Step Upthrust Contact	●	●	●
Float Contact	●	●	●
Drive-chain Contact	●	●	●
Cable Connector for intersection	●	●	●



FET Layout for Passenger Conveyor



A	800	1000
B	1037	1237
C	1345	1545
D	1400	1600
E	2050	2250

Type	A	L	KK	FF
FET10	10°	H×5.671+2650	17700	4250
FET11	11°	H×5.145+2555	16700	4100
FET12	12°	H×4.705+2475	15800	4000

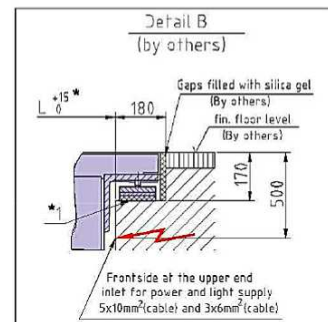
Notes:

1. Definitions

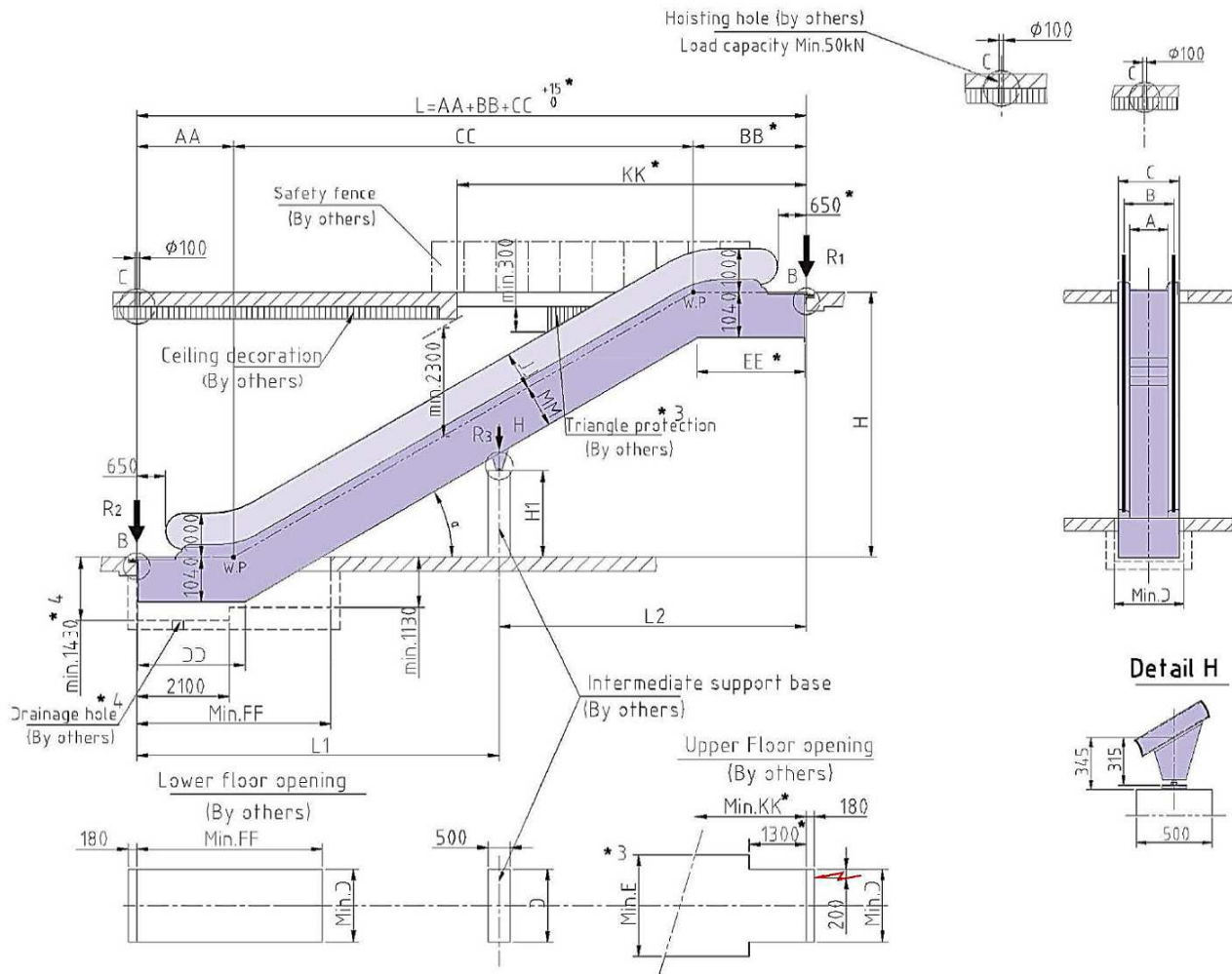
- Mark *1: Supports need to be in true level
 - Mark *2: If there is pit, pit need to be water proof and smooth
 - Mark *3: If dimension E can't be guaranteed, a guard acc.EN115 must be provided as shown (by others)
- According to EN115, the entrance of both landing must have enough area to facilitate the traffic flow
 - All dimension refer to finished dimension is in mm
 - The intermediate support base can be made by concrete or metallic structure (by others)
 - Dimensions with mark * should be extended 500mm in case double drive or VVVF.

A	Reaction Force (KN)
800	R1=3.45×L2+12.5
	2=3.45×L1+4
	R3=4×L+14.5
1000	R1=3.85×L2+14
	R2=3.85×L1+4.5
	R3=4.5×L+15.5

Note:
 1.L, L1 and L2 is in meter
 2.L1 and L2 do not exceed 10m
 3.Applicable in case of one intermediate support, or else, contact us



FES Layout for Commercial Escalator

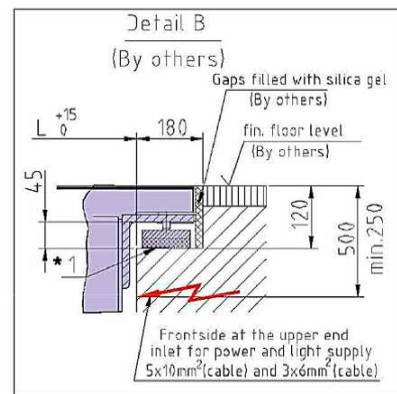


Type	a	AA	BB	CC	FF	JJ	KK
FES-302	30°	2195	2564	H×1.732	4200	870	7900
FES-352	35°	2229	2648	H×1.428	4000	850	7100
FES-303	30°	2595	2964	H×1.732	4600	870	8300
FES-353	35°	2629	3048	H×1.428	4400	850	7500

For slim-vertical balustrade

A	600	800	1000
B	837	1037	1237
C	1145	1345	1545
D	1200	1400	1600
E	1850	2050	2250

Type	a	DD		EE		MM	
		angle turss	pipe turss	angle turss	pipe turss	angle turss	pipe turss
FES-302	30°	2230	2205	2470	2482	960	940
FES-352	35°	2385	2352	2450	2455	980	960
FES-303	30°	2630	2605	2870	2882	960	940
FES-353	35°	2785	2752	2850	2855	980	960



A	Reaction Force (KN)	
	W/o intermediate support	With one intermediate support
600	R1=3.35×L+15.5	R1=3.35×L2+11.5
	R2=3.35×L+10	R2=3.35×L1+4.5
	R3=3.35×L+3.5	
800	R1=3.7×L+17	R1=3.7×L2+12
	R2=3.7×L+11	R2=3.7×L1+4.7
	R3=3.7×L+4	
1000	R1=4.15×L+18.5	R1=4.15×L2+12.5
	R2=4.15×L+11.5	R2=4.15×L1+4.9
	R3=4.15×L+4.5	

Note: 1. L, L1, L2 is in meter

Notes:

1. Definitions:

- Mark *1: Supports need to be in true level
 - Mark *2: If there is pit, pit need to be water proof and smooth
 - Mark *3: If dimension E can't be guaranteed, a guard acc.EN115 must be provided as shown (by others)
 - Mark *4: only for outdoor installation.
- According to EN115, the entrance of both landing must have enough area to facilitate the traffic flow
 - Dimension with mark * should be extended 500mm in case 600mm step or double drive or in case VVVF.
 - Intermediate support is reinforced in case of horizontal over 15m please contact us.
 - All dimension refer to finished dimension is in mm

Project Highlight

SJEC

Elevators & Escalators

since 1992



Chennai train station, India



Chennai airport, India



Suzhou railway station, china.



Delhi Metro, India



Sevilla metro, Spain



House of Fraser Shopping Mall, England



Caracas Maiquetia airport, Venezuela



Tianjin, China



Festival Market, Taiwan



Sorya Shopping Mall, Cambodia



Cologne, Germany



Saturn Mall, Greece



Valencia Cultural Center, Spain